

TANIN CHAIR

parla*

Item Number U010115
Designed by Erden Dereli



PRODUCT SPECIFICATION

Frame
Powder coated metal structure

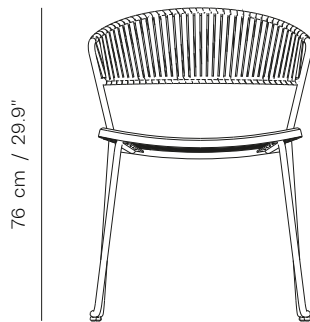
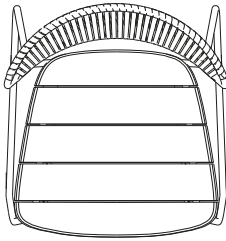
Seat & Back
Solid iroko seat, woven with
polyester rope back

Finish
Leg is available in RAL colours with
outdoor treatment, rope available in black and
tan

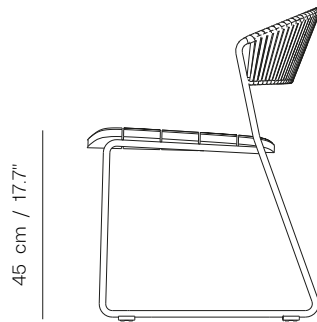
PRODUCT DIMENSIONS

W:53 D:60 H:76 SH:45

TECHNICAL DRAWING



53 cm / 20.8"



60 cm / 23.6"

PACKAGING

Packaging Type
Wooden case box

Packaging Measurement
L:65 X W:60 X H:85 CM

Weight Packaging
10 kg/8 kg

Number of Parcels
1 pcs

COMPANY CERTIFICATIONS

ISO 14001
Environmental management system

ISO 45001
Occupational health and safety

ISO 9001
International organization for standardization
assessment

FSC
Forest stewardship council

parla*

İstanbul Showroom - Bareli İş Merkezi, Ayazmadere Cad. Pazar Sok. No:2-4 Beşiktaş 34349 İstanbul/Turkey
istanbul@parladesign.com - Tel: +90 212 216 61 63 - 64