

Grand More

Design by Estel R&D

Grand More collection, the original executive line that offers a wide range of tables, including desks and meeting boards. The whole range is characterized by particular legs which soften downwards and lighten the wide angle of the radius frame designed to conceal the top. The base of the table can be integrated with a service unit, while the top can be equipped with a sound-absorbing panel (allowing a quick switch from a meeting table to a workstation for shared work).



TECHNICAL FEATURES



Tops

22 mm (7/8") thick, flush with structure, in Veneer finish, ceramic, back-lacquered etched extra light glass finish or clear glass. Rounded corners with R35. The tops of the desks in clear glass, back-lacquered etched glass and ceramic can not be electrified either with top access or with cable outlet.

Top profiles

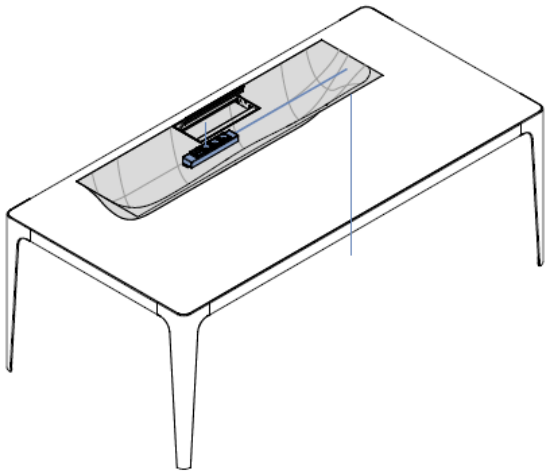
The perimeter profiles are in epoxy powder coated Aluminum, or in Luxury Metal, and are solidly connected to the legs creating a load-bearing structure independent of the top.

Legs

Metal legs are epoxy powders coated or in Luxury Metal.

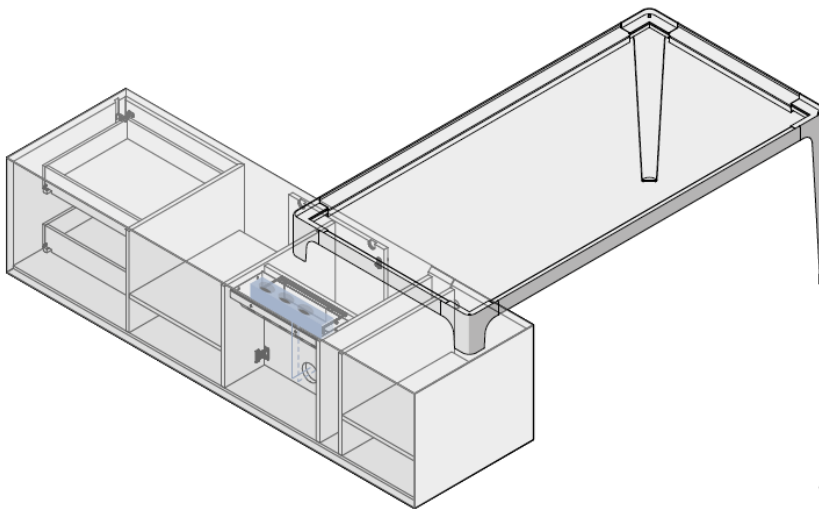


ELETRIFICATION



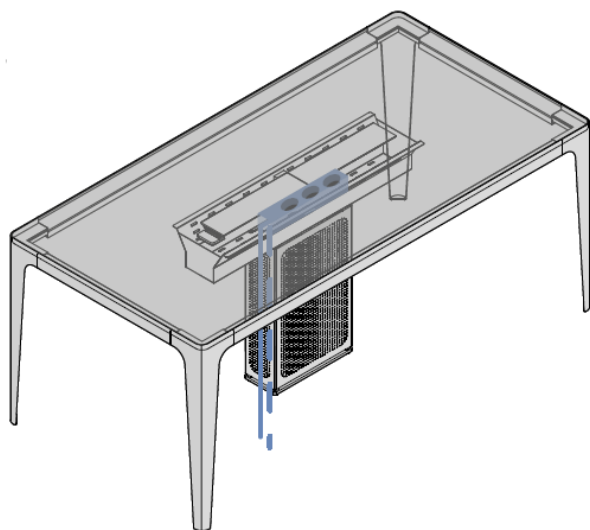
Single desk

Electrification system of the desk including top access frame and cable tray and socket in thermoformed fabric covered. The tray also acts as a modesty panel. Top access door in finishing with desk top, the profile in finishing with the structure and legs.



Desk with storage unit

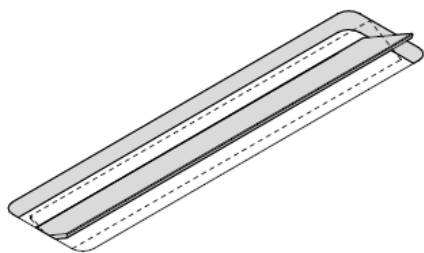
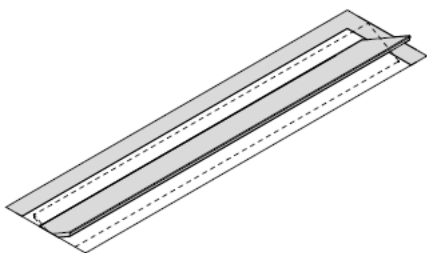
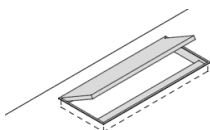
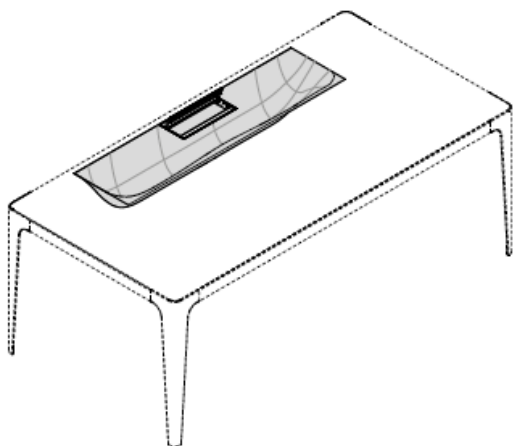
ELETRIFICATION



Meeting table

Top access and cable tray column. The cable tray column is always in Carbon Glacé coated metal.

ELETRIFICATION



Top access

Top access frame with thermoformed cable tray for single desk

From its resting position under the counter, the tray can be unhooked and suspended at "working" height for wiring.

Top access frame for single desk in Veneer.

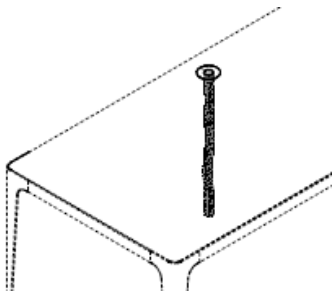
Double-sided top access for meeting tables in Veneer.

Double-sided top access for meeting tables in etched back-lacquered glass and ceramic.

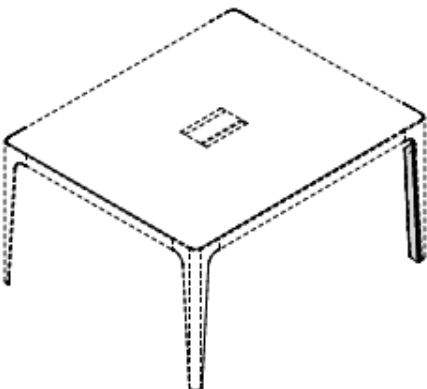
ELETRIFICATION

Cable management tube

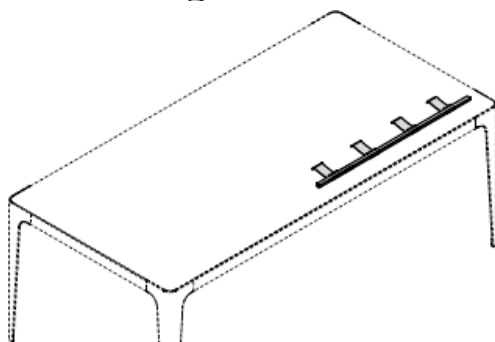
Cable management tube for single desk and bench.



Cable outlet.

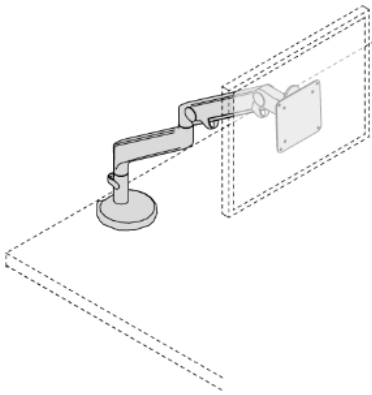


Cable climbing clip for leg for square meeting table.

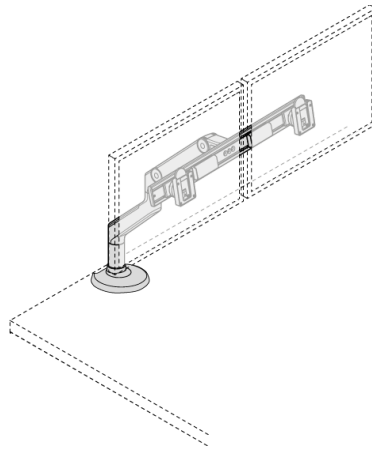


Horizontal vertebra for electrification.

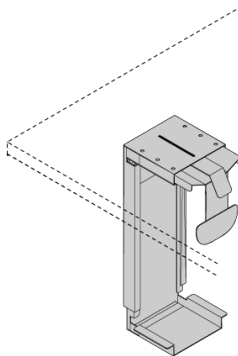
ACCESSORIES



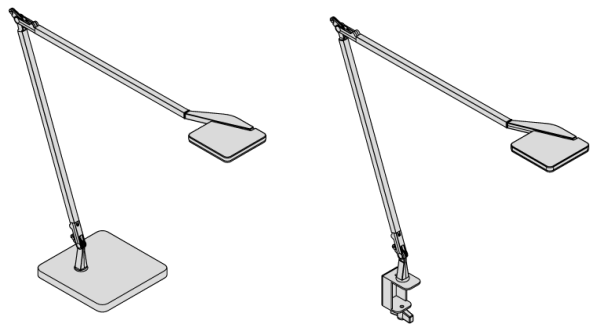
Single monitor holder mounted on a surface



Double monitor holder mounted on a surface

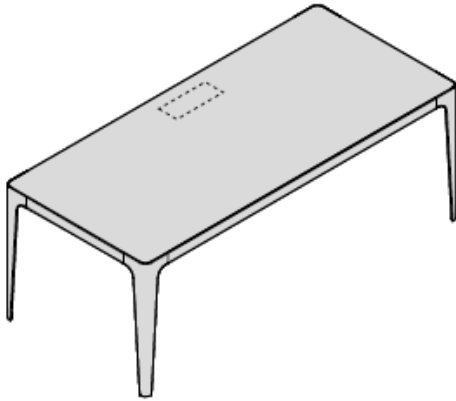


Extensible CPU holder



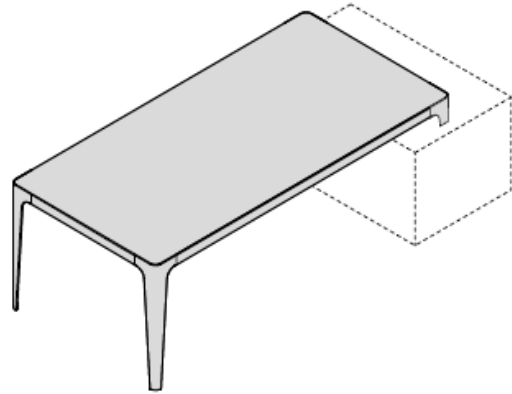
LED table and table lamp with clamp

DIMENSIONS



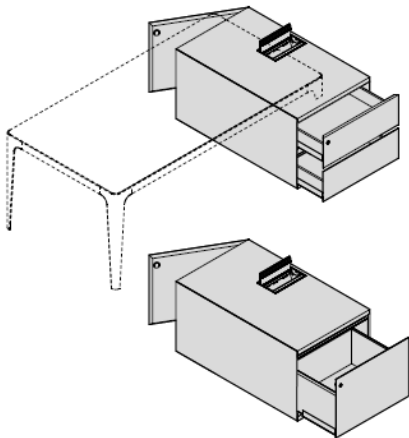
Desk

W160 (63) x D90 (35"3/8) x H74 (29"1/8)
 W180 (70"7/8) x D90 x H74 (29"1/8)
 W200 (78"3/4) x D90 x H74 (29"1/8)



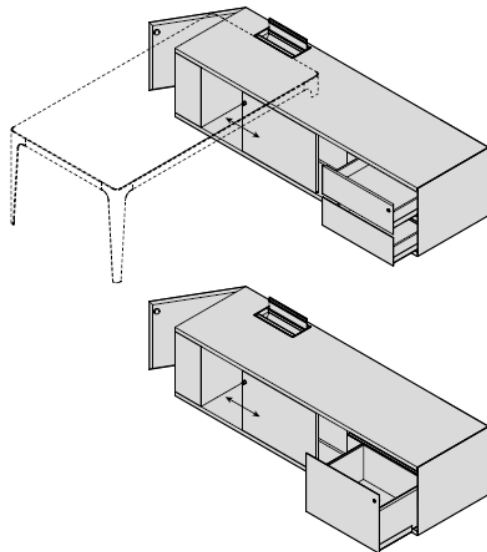
Desk with storage unit

W160 (63) x D90 (35"3/8) x H74 (29"1/8)
 W180 (70"7/8) x D90 x H74 (29"1/8)
 W200 (78"3/4) x D90 x H74 (29"1/8)



Storage unit D90 for desk with two drawers
 or with the filling cabinet

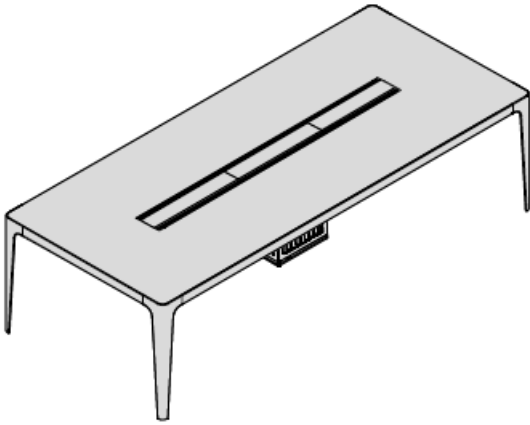
H57 (22"1/2) x W60 (23"5/8) x D90 (35"3/8)



Storage unit W205 for desk with two drawers
 or with the filling cabinet

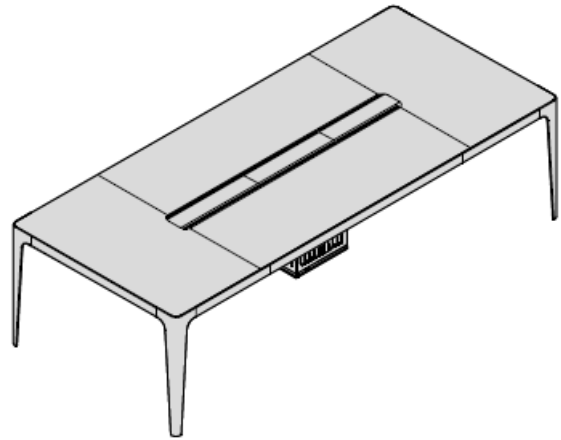
H57 (22"1/2) x W205 (80"3/4) x D60 (23"5/8)

DIMENSIONS



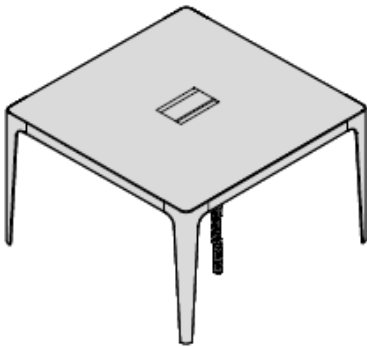
Rectangular electrified meeting table with cable tray

W180 (70"7/8) x D90 (35"3/8) x H74 (29"1/8)
 W240 (94"1/2) x D100 (39"3/8) x H74 (29"1/8)
 W280 (110"1/4) x D120 (47"1/4) x H74 (29"1/8)



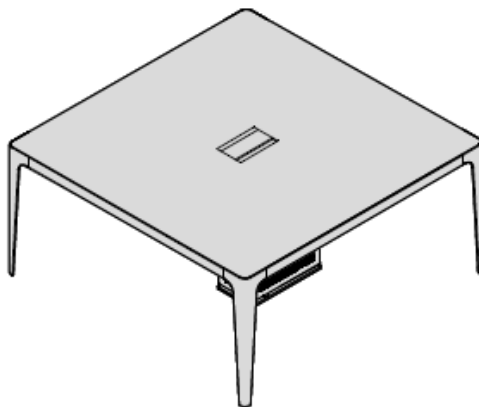
Rectangular electrified meeting table with cable tray and top access

W240 (94"1/2) x D100 (39"3/8) x H74 (29"1/8)
 W280 (110"1/4) x D120 (47"1/4) x H74 (29"1/8)
 W320 (126") x D120 (47"1/4) x H74 (29"1/8)



Square meeting table with top access, tray and cable management tube

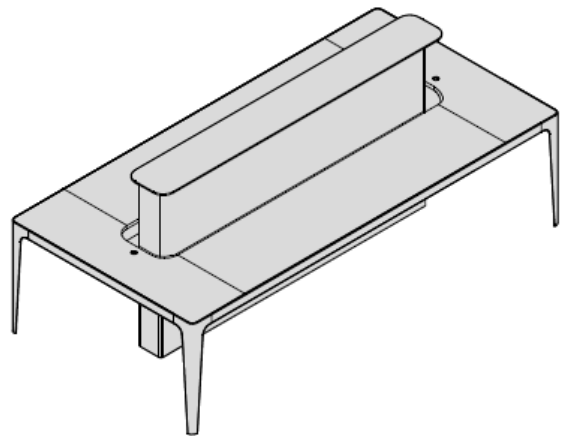
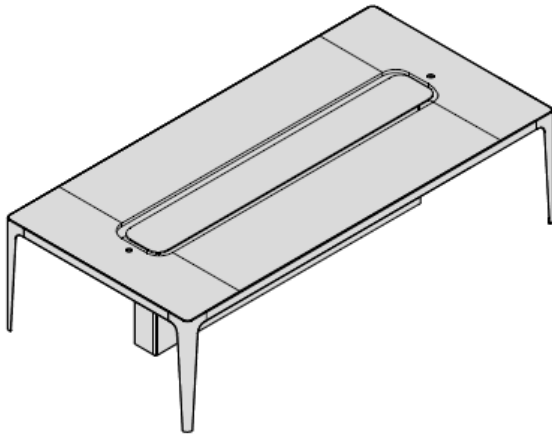
W120 (47"1/4) x D120 (47"1/4) x H74 (29"1/8)
 W140 (55"1/8) x D140 (55"1/8) x H74 (29"1/8)
 W160 (63") x D160 (63") x H74 (29"1/8)



Square meeting table with cable tray and top access

W200 (78"3/4) x D200 (78"3/4) x H74 (29"1/8)

DIMENSIONS



Sharing meeting table

W320 (126") x D140 (55"1/8) x H74 (29"1/8)

W360 (141"3/4) x D140 (55"1/8) x H74 (29"1/8)



Desk with storage unit D90 (35"3/8).



Electrified rectangular table with cable management column and top access..



Sharing meeting table.



HEADQUARTER

Estel Group srl
Via Santa Rosa 70
36016 Thiene (VI) – Italy
Tel. +39 0445 389611
Fax +39 0445 808801
www.estel.com

The information shown is based on the latest published price lists. Estel reserves the right to make any necessary changes to the products shown at any time without notice.

ESTEL rev. 03_11/2019
