

# Loop-in

Design by Estel R&D

The ideal solution for reception areas. Loop In is characterized by the elegance of the two-tone structure and the characteristic shield that acts as a touch point between visitor and receptionist. Through the graphics applicable to the panel and a careful use of materials and colors, the reception lends itself well to communicating the corporate identity of a company.



## TECHNICAL FEATURES



### **Tops**

Tops in melamine, veneer or eco-leather.

### **Legs**

Legs in melamine or veneer in finish with the top.

### **Modesty**

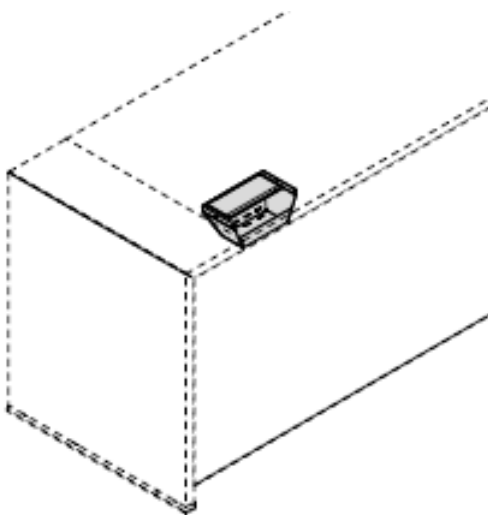
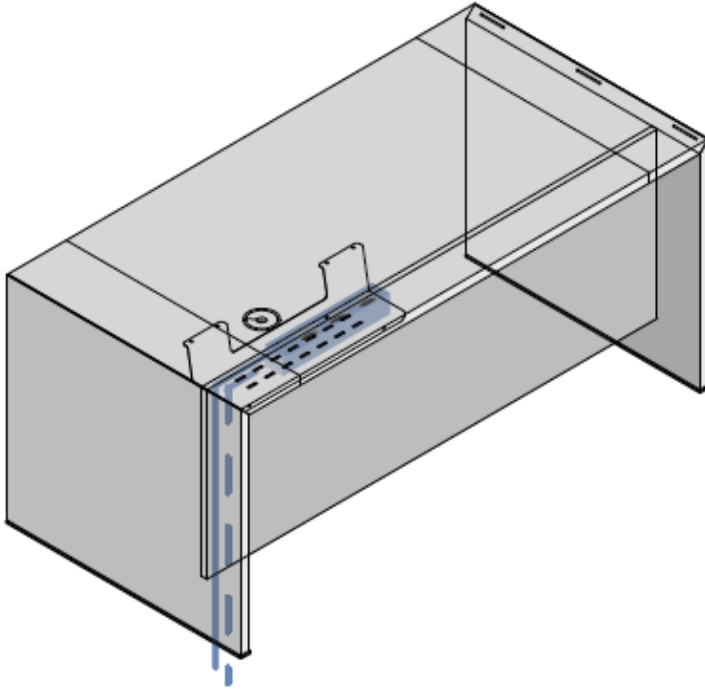
Modesty in melamine, wood or eco-leather in finish with the top.

### **Shield and front panel**

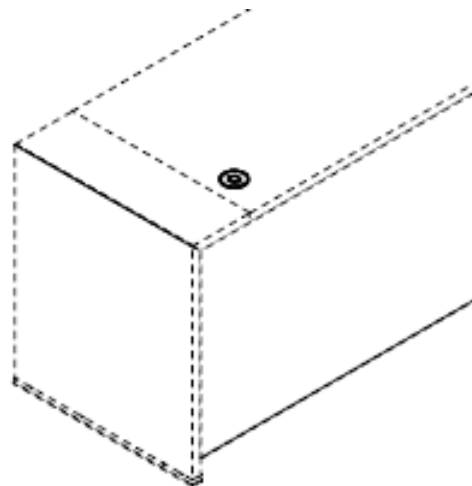
Shield and front panel in Sablé lacquered finish.

Loop-in reception can be customized in position, width and number of front shields. Depending on the size of the reception, shields in 60 or 100 width can be mounted.

# ELECTRIFICATION

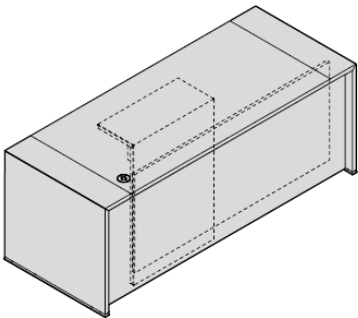


**Top access and cable tray**



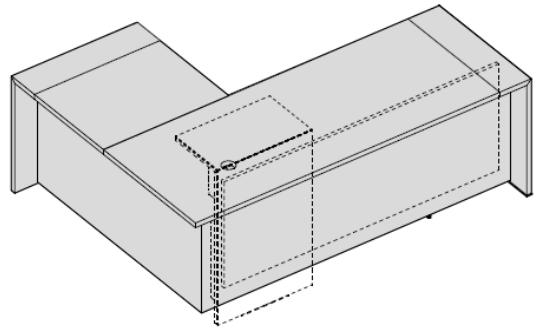
**Additional cable management cube**

## DIMENSIONS



Reception / linear speaker table  
(3 cm [1"1/8] thick)

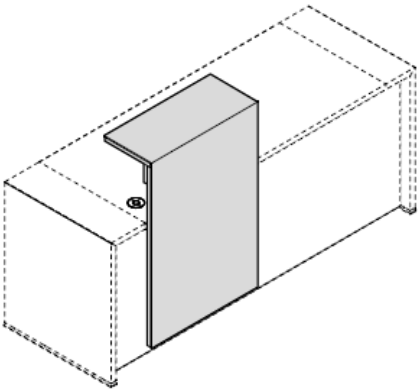
H74 (29"1/8) x W200 (78"3/4) x D80 (31"1/2)  
H74 (29"1/8) x W280 (110"1/4) x D80 (31"1/2)



Reception / L-shaped speaker table (3 cm  
[1"1/8] thick)

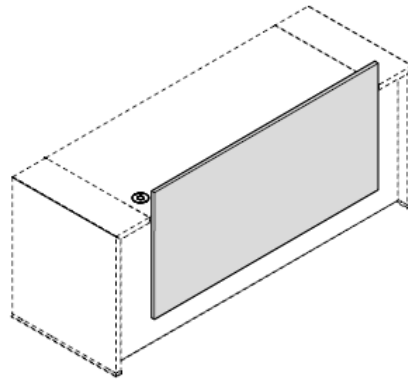
H74 (29"1/8) x W200 (78"3/4) x D160 (63")  
H74 (29"1/8) x W280 (110"1/4) x D160 (63")

# ACCESSORIES



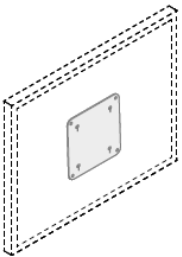
Shield for reception

W60 (23"5/8) x H88 (34"5/8) x D37 (14"1/2)  
W100 (39"3/8) x H88 (34"5/8) x D37 (14"1/2)

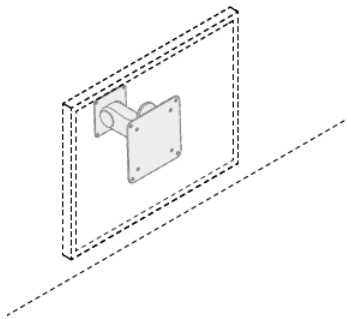


Front panel for speaker table

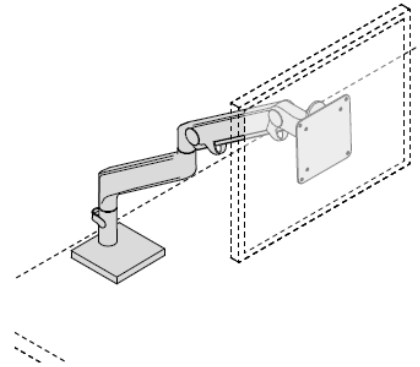
W160 (63") x H60 (23"5/8) x D2 (3/4")  
W240 (94"1/2) x H60 (23"5/8) x D2 (3/4")



Monitor holder support



Monitor stand



Monitor support arm





## **HEADQUARTER**

Estel Group srl  
Via Santa Rosa 70  
36016 Thiene (VI) – Italy  
Tel. +39 0445 389611  
Fax +39 0445 808801  
[www.estel.com](http://www.estel.com)

The information shown is based on the latest published price lists. Estel reserves the right to make any necessary changes to the products shown at any time without notice.

**ESTEL rev. 03\_11/2019**

---