

# Tori

Design by Patrick Norguet

Table with base in painted die-cast aluminum or in Luxury metal finish. Top available in extralight transparent glass with external ceramic ring.



## DESCRIZIONE TECNICA



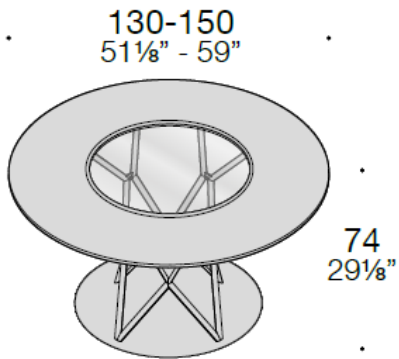
### **Tops**

Tops made with panels in wood particles th. 30 mm (1<sup>1</sup>/<sub>8</sub>) with ceramic finish top, th. 6 mm (1/4"). The central porthole is in 10 mm (3/8") thick transparent glass.

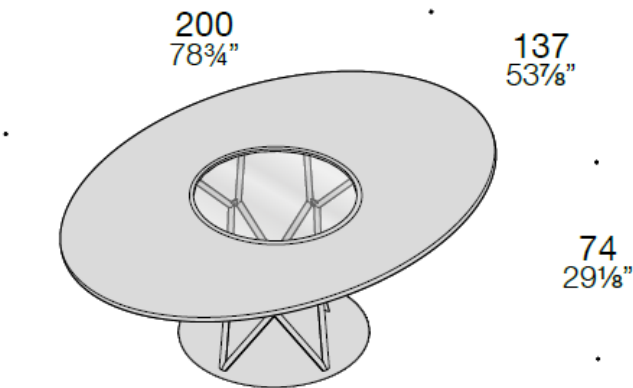
### **Basement**

The base is in die-cast painted aluminum or in a Luxury metal finish (not available in the Chrome finish).

## DIMENSIONS



Round Oblò table



Oblò oval table



Round oblò table with top in ceramic and matt brass metal base.



Round oblò table with top in ceramic and matt bronze metal base.



Oblò oval table with top in ceramic and matt bronze metal base.





## **HEADQUARTER**

Estel Group srl  
Via Santa Rosa 70  
36016 Thiene (VI) – Italy  
Tel. +39 0445 389611  
Fax +39 0445 808801  
[www.estel.com](http://www.estel.com)

The information shown is based on the latest published price lists. Estel reserves the right to make any necessary changes to the products shown at any time without notice.

**ESTEL rev. 03\_11/2019**

---