

RHINO SQUARE

Product Code: DS400 & DS410

DecoSound acoustic panel collection provides decorative premium acoustic solutions up to A class high acoustic performance for your interior spaces with unique 3D designed models. They are lightweight, semi rigid, pin-receptive acoustic panels which are easy to assemble with smart installation options. Finishings produces a high-end luxury look and feel. Using the smart installation, you can easily alternate colour combinations or change the design periodically. The possible way of usage is for ceilings & walls.

Specification

- Composition: 100 % polyester (recycled PET appx. 50 %)
- Material Weight: 1300g /m² (+/- 5 %)
- Material Thickness: 6mm Natural & Mandarin colors (+/- 10 %)
- Panel Weight: 50x50cm / Natural: kg / per pcs. (+/-5 %)
Mandarin: kg / per pcs. (+/-5 %)
- 60x60cm / Natural: kg / per pcs. (+/-5 %)
Mandarin: 4,70 kg / per pcs. (+/-5 %)

Performance

- Acoustic Rates: Natural: 0.80 NRC (EN-11654)
Mandarin: NRC (EN-11654)
Natural + Feltfill: 0.90 NRC (EN-11654)
Mandarin + Feltfill: NRC (EN-11654)
- Fire Rates: B, S1, d0 (EN-13501)
- Light fastness: 6+ (ISO-105 B02)
- MAS Certified Green - CDPH Standard Method v1.2
Low VOC / Eligible for LEED v4
- Health : 99.9 % Antibacterial (ISO-20743)
Formaldehyde-free (ISO-14184)
- Moisture Absorption: >0.03 % by weight
(50°C/122°F at 90% relative humidity)
- Thermal insulating: 0,040 W/mK

Key Features & Benefits

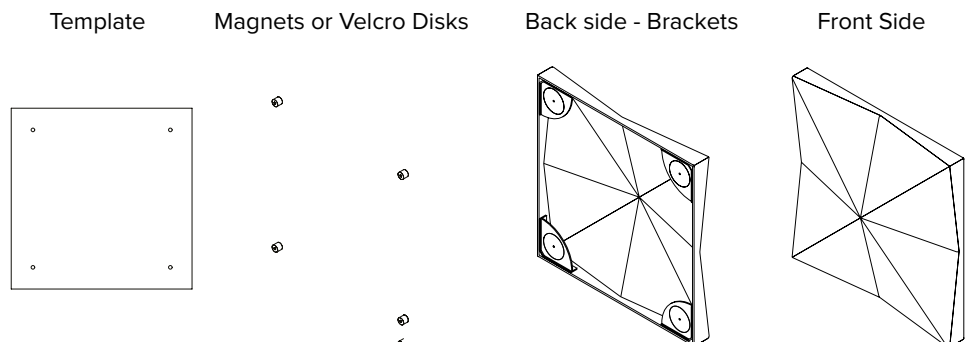
- Available in 7 Natural colours & 33 Mandarin colours.
- Highly durable providing long-term stability and performance.
- Safe, non-toxic, non-irritant & without red list chemical binders.
- Recycled and recyclable.

Care

- Easy to clean with a damp cloth or vacuum cleaner.
- Indoor use only.

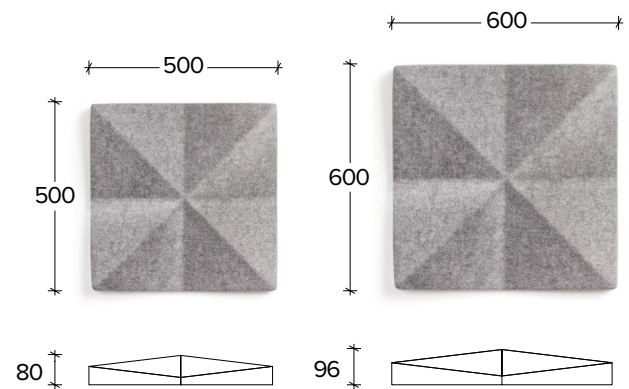
Installation

- Designed for easy assembly with 2 installation options. With the guidance of the montage template, neodymium magnets or velcro disks are screwed to the surface. Fix the brackets behind the panel to the magnets or velcro disks.



Dimensions(mm):

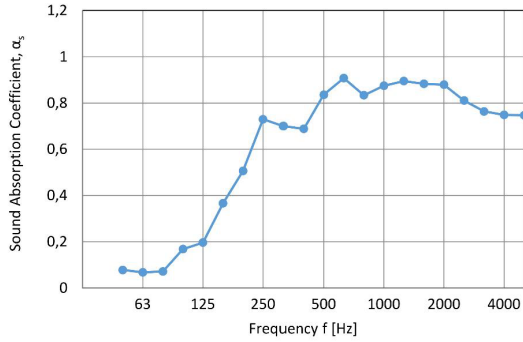
DS400	DS410
L: 500mm	L: 600mm
W: 500mm	W: 600mm
D: 60mm	D: 72mm



ACOUSTIC TEST REPORT



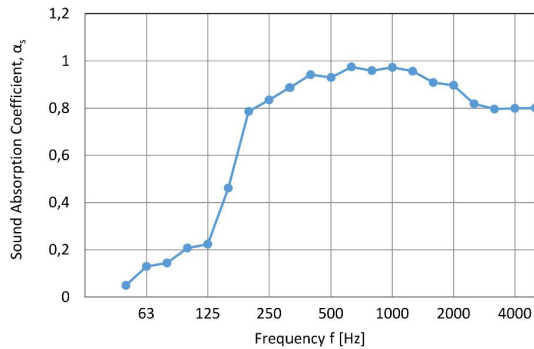
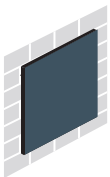
Natural



125 Hz	250 Hz	500 Hz	1000 Hz	2000 Hz	4000 Hz
0,24	0,65	0,81	0,87	0,86	0,75

Rating according to ISO 11654:
Weighted sound absorption coefficient
 $\alpha_{w=}$ 0,85
 NRC: 0,8
 Sound absorption class: B

Natural + Feltfill



125 Hz	250 Hz	500 Hz	1000 Hz	2000 Hz	4000 Hz
0,30	0,84	0,95	0,96	0,87	0,80

Rating according to ISO 11654:
Weighted sound absorption coefficient
 $\alpha_{w=}$ 0,90
 NRC: 0,9
 Sound absorption class: A